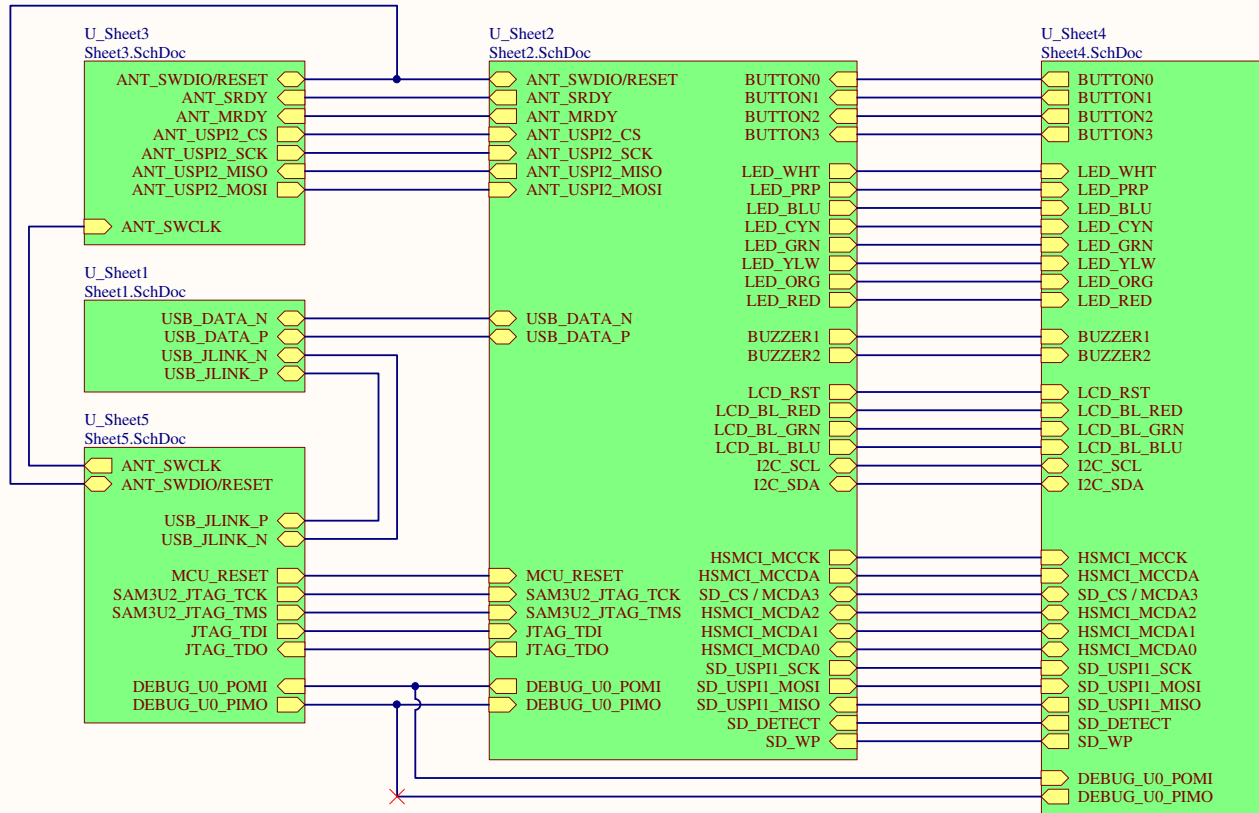


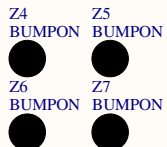
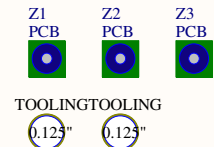
MPGLI Razor Development Board: MPGL1-EHDW-03



U_MPGL1-EHDW-03 Release Notes
MPGL1-EHDW-03 Release Notes.SchDoc



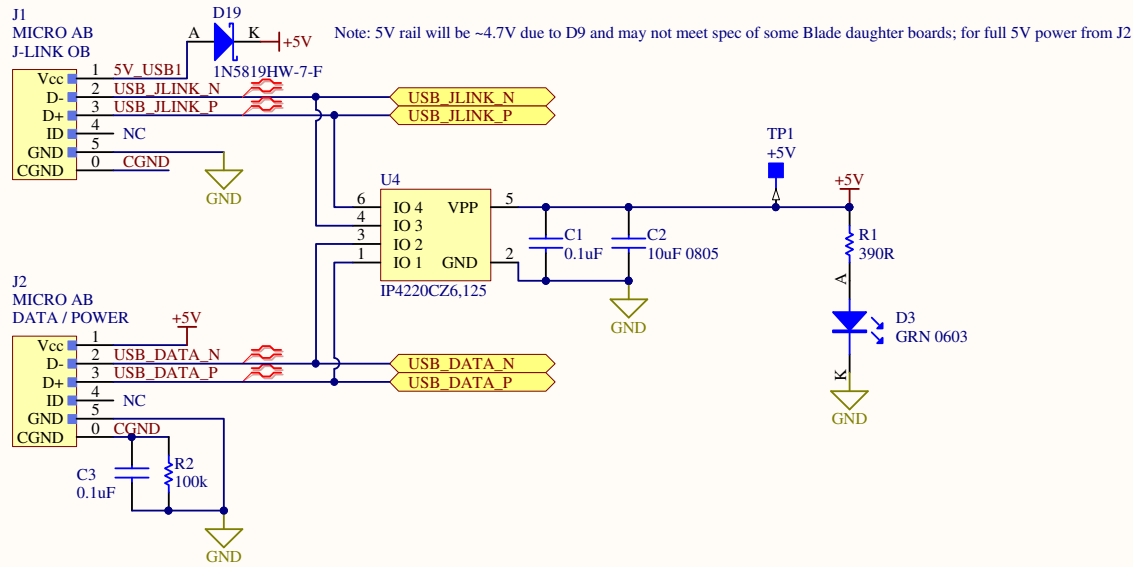
LBL6
PCB Revision
PCB REV



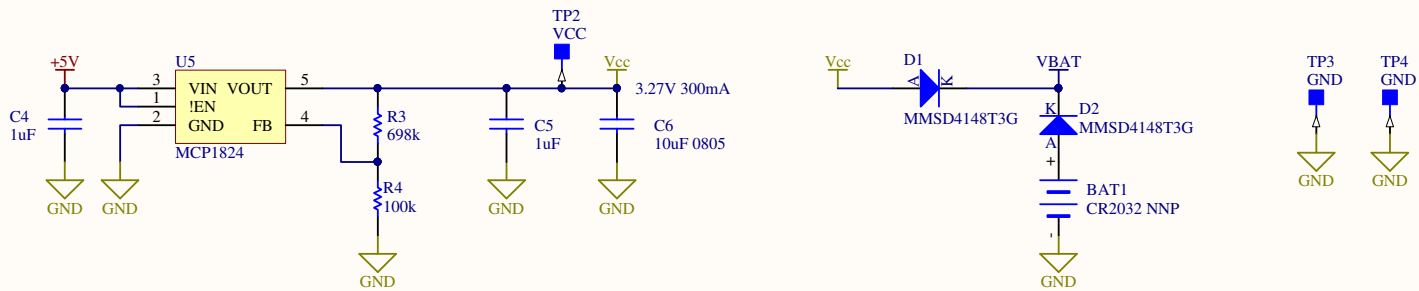
engENUICS
www.engenuics.com
6680A MIRAH ROAD
SAANICHTON, BC
CANADA V8M 1Z4
1-888-912-3451

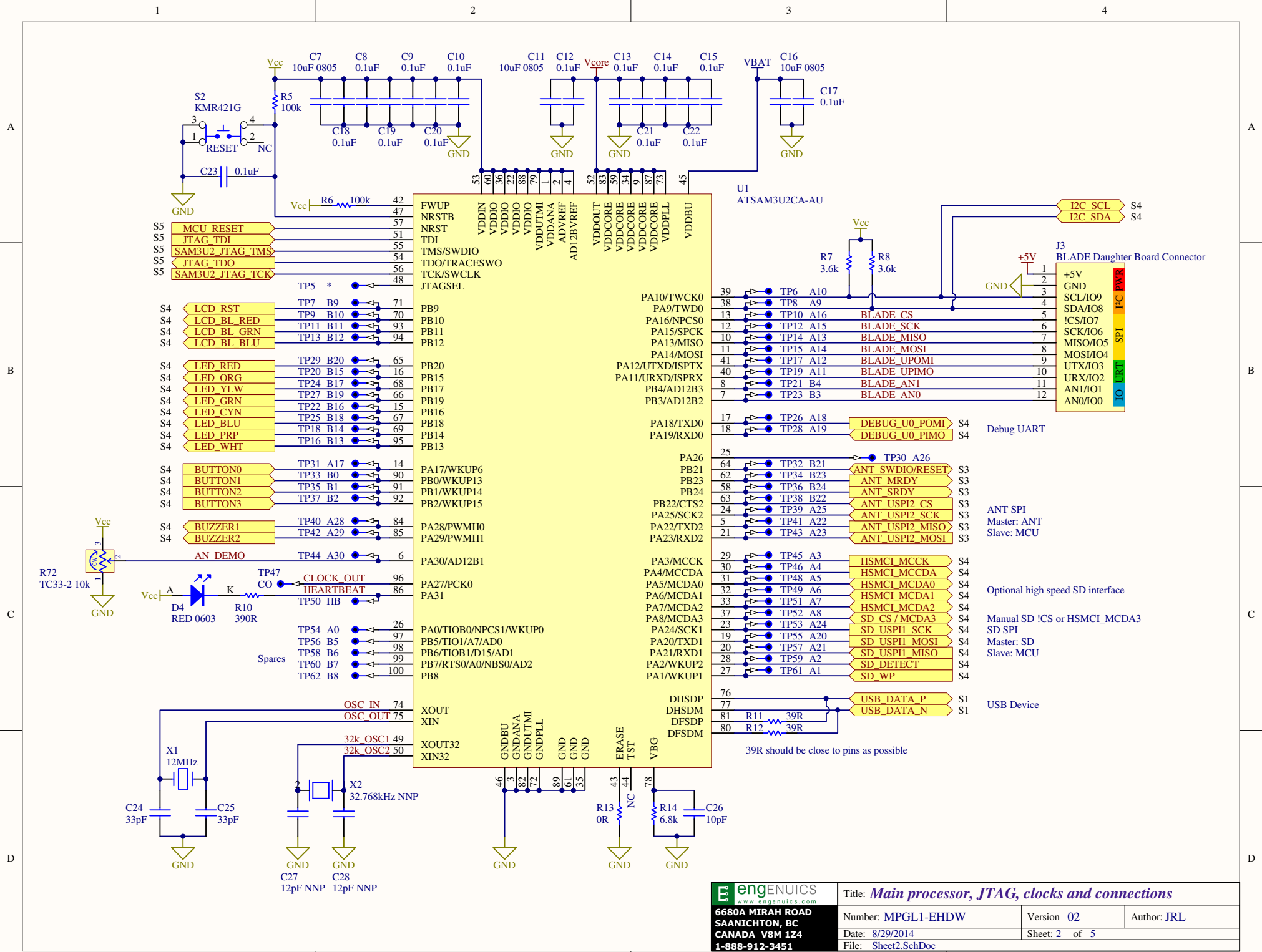
Title: Block Diagram and PCB Labels		
Number: MPGL1-EHDW	Version 02	Author: JRL
Date: 8/29/2014	Sheet: 0 of 5	
File: MPGL1-EHDW-03.SchDoc		

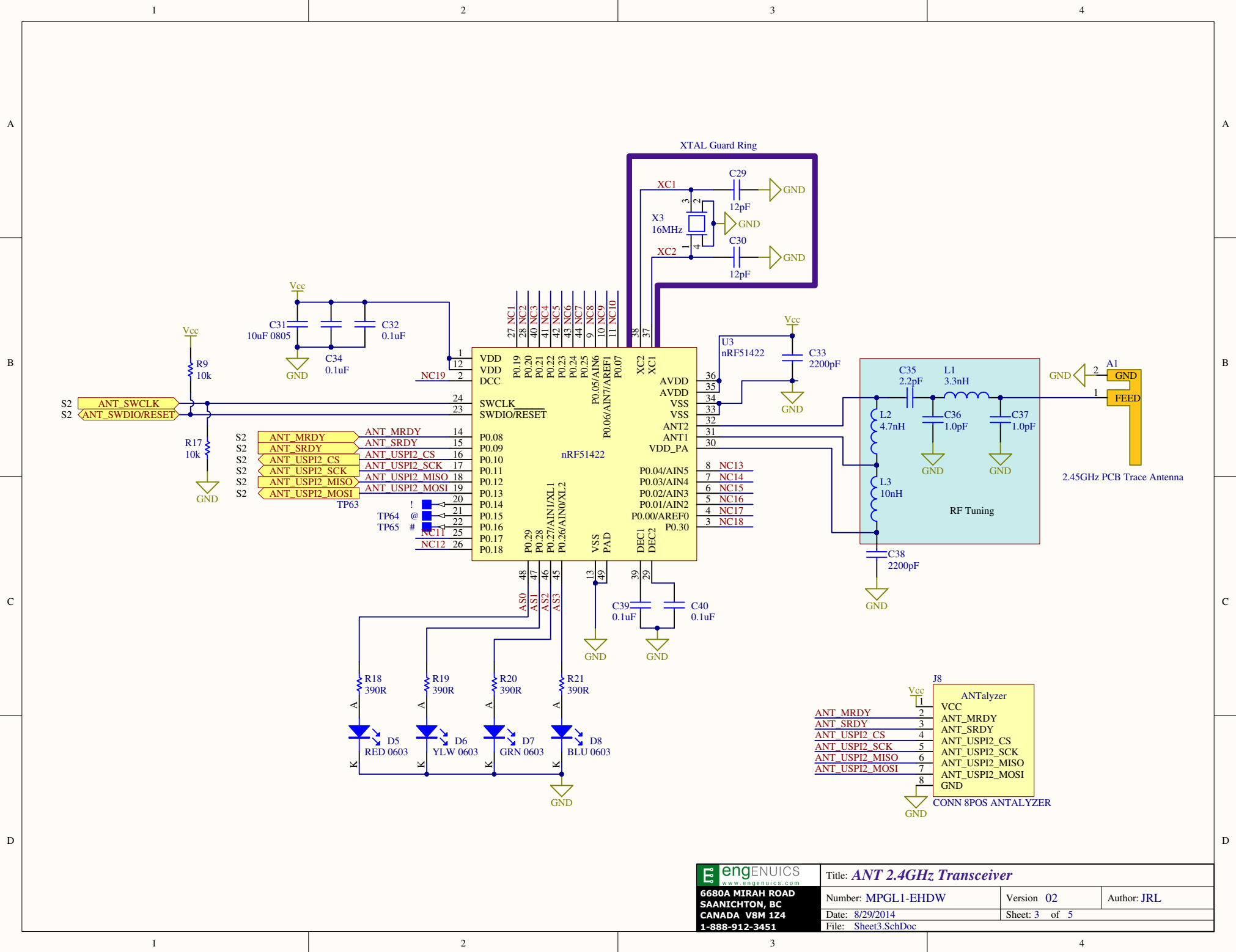
5V USB Input

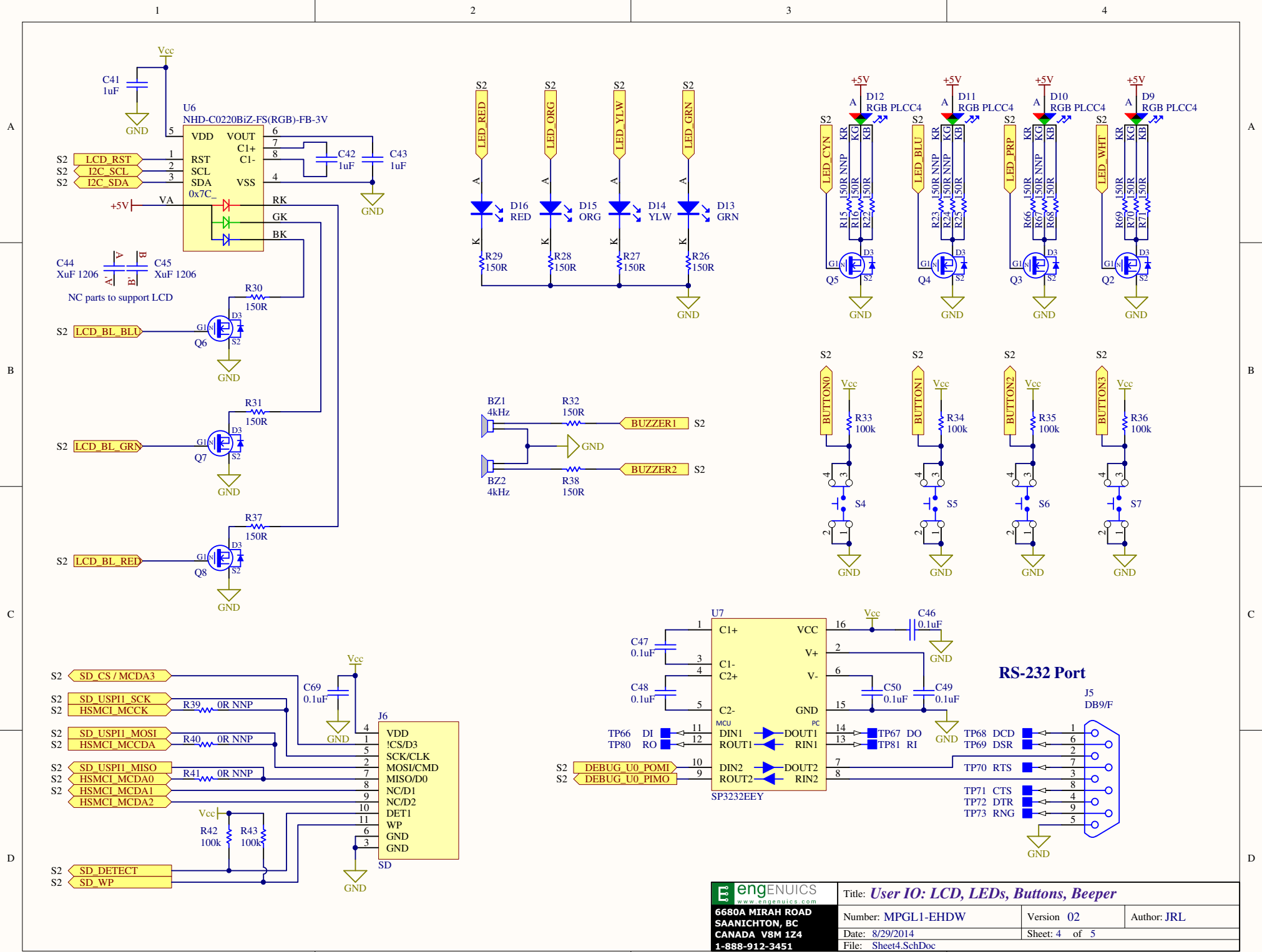


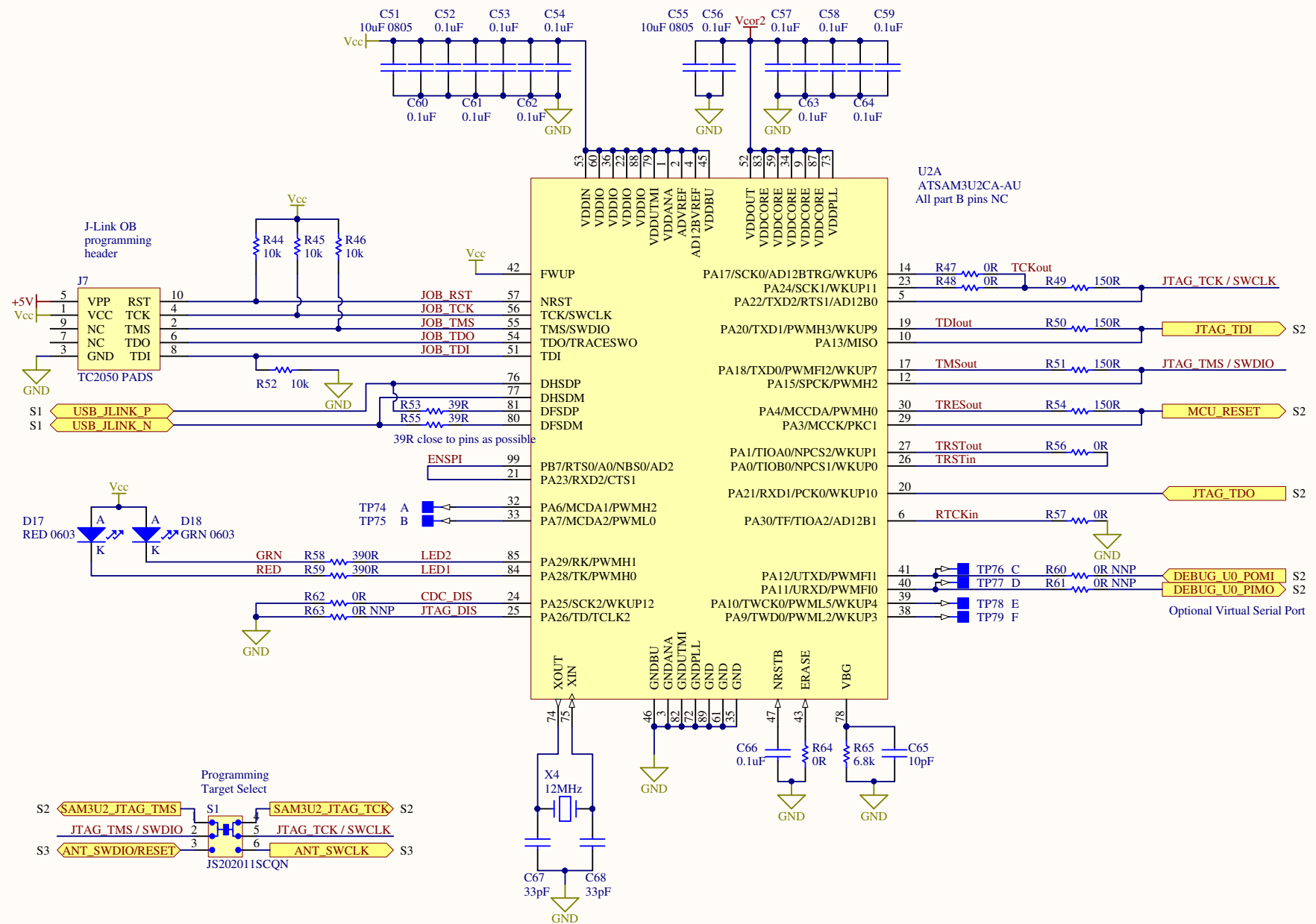
VCC Regulator: 3.3V Output











A

A

B

B

C

C

D

D

-02 to -03 updates:

- Lower cost dual RS232 driver
- RGB LEDs for expensive colors / configurable
- Remove fuse & power switch and diode connect J-Link power (for true 5V, use PWR/DATA in port)
- Switich for SWCLK and SWDIO for ANT programming.
- Change micro B USB to pinned versions
- Bumpon circles x 4

Considered by not implemented:
LCD flat on board

A

A

B


B

C

C

D

D

 engENUICS www.engenuics.com	Title: <i>MPGL2 Release Notes</i>		
	Number: MPGL2-EHDW	Version 02	Author: JRL
	Date: 8/29/2014	Sheet: R of R	
	File: MPGL1-EHDW-03 Release Notes.SchDoc		

6680A MIRAH ROAD
 SAANICHTON, BC
 CANADA V8M 1Z4
 1-888-912-3451